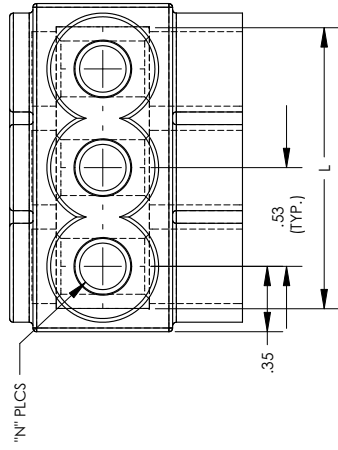
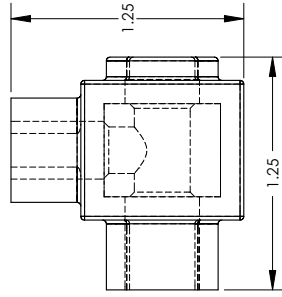
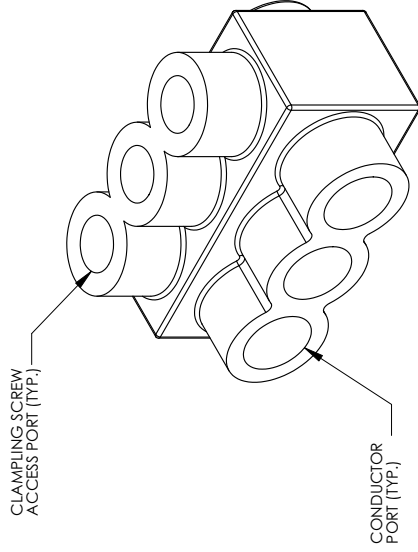
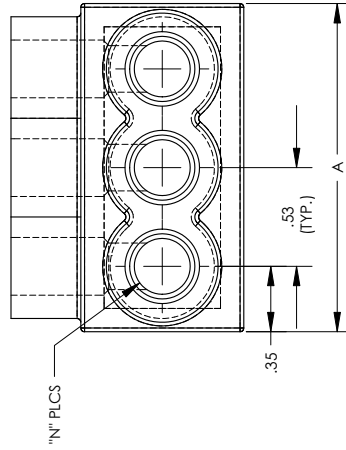


THIS COPY IS PROVIDED ON A RESTRICTED BASIS AND IS NOT TO BE USED IN ANY WAY DETRIMENTAL TO THE INTERESTS OF PANDUIT CORP.



THREE PORT CONNECTOR BLOCK SHOWN WITH PLASTIC CLOSURE PLUGS REMOVED. SEE TABLE FOR DIMENSIONS OF PARTS WITH ADDITIONAL PORTS



PANDUIT FINISHED GOODS PIN	CONDUCTOR RANGE	HEX KEY	SCREW QTY.	CAP (SCREW PORT) QTY.	CAP (WIRE PORT) QTY.	A	L	N	TIGHTENING TORQUE
PCSB250-2S-6Y		5/16	2	2	2	2.03	1.781	2	
PCSB250-3S-6Y		5/16	3	3	3	2.97	2.718	3	
PCSB250-4S-6Y		5/16	4	4	4	3.91	3.656	4	
PCSB250-5S-4Y		5/16	5	5	5	4.84	4.593	5	
PCSB250-6S-4Y	250 kcmil - # 10 STR	5/16	6	6	6	5.78	5.531	6	275 lbf/ft
PCSB250-8S-3Y		5/16	8	8	8	7.66	7.406	8	
PCSB250-10S-2Y		5/16	10	10	10	9.53	9.281	10	
PCSB250-12S-2Y		5/16	12	12	12	11.41	11.156	12	
PCSB250-14S-1Y		5/16	14	14	14	13.28	13.031	14	

NOTES:

- UL486A-UL486B LISTED, DUAL RATED CUSAL FOR ALUMINUM OR COPPER CONDUCTORS. MEETS OR EXCEEDS ANSI C119.4
- SEE TABLE FOR WIRE RANGE.
- STRIP LENGTH: .88 +.06/-0
- FOR TIGHTENING TORQUE SEE TABLE
- VOLTAGE RATING: 600 V. MAX. BUILDING WIRE, 1000 V. MAX. IN SIGNS & FIXTURES.
- TEMPERATURE RATING: 90 °C (C USAL).
- CONNECTOR BLOCK BODY ARE MADE FROM ALUMINUM. CONDUCTOR PORTS IN CONNECTOR BLOCK ARE PREFILLED WITH AN OXIDE-INHIBITING COMPOUND.
- CONNECTOR TO INCLUDE TIN PLATED ALUMINUM CLAMPING SCREWS FOR EACH CONDUCTOR PORT.
- INSULATION MATERIAL IS CLEAR PVC.
- CLAMPING SCREW ACCESS PORTS AND ALL WIRE ENTRY PORTS ARE PROVIDED WITH REMOVABLE PLASTIC CLOSURE PLUGS.
- ALL DIMENSIONS SHOWN ARE NOMINAL.
- ONLY ONE CONDUCTOR PER PORT ALLOWED.
- PACKAGE QTY: -12 = 12 PCS.
-6 = 6 PCS.
-4 = 4 PCS.
-3 = 3 PCS.
-2 = 2 PCS.
- THIS PART IS RoHS COMPLIANT



LISTED

<p>PANDUIT CORP. TINLEY PARK, ILLINOIS</p> <p>MULTI-TAP INSULATED CONNECTORS</p> <p>PCSB250 SERIES SINGLE SIDED</p>		<p>UNLESS OTHERWISE SPECIFIED, DIMENSIONAL TOLERANCES ARE:</p> <p>(X) ± ANGLES ±</p> <p>(XX) ±</p> <p>SCALE 1.5:1</p>		<p>DRAWN BY J/S</p> <p>DATE 08/99</p> <p>CHK'D RLS</p>		<p>SEE NOTE 1 ABOVE</p>		<p>DWG FILE C41525_02</p> <p>SIZE B</p>	
REV	DATE	BY	CHK	DESCRIPTION		ECN	CUST	QA	APP
02	11/09	JHNU	JHNU	REVISED NOTE 3. .88 WAS .56 ADDED HEX KEY SIZE TO TABLE					